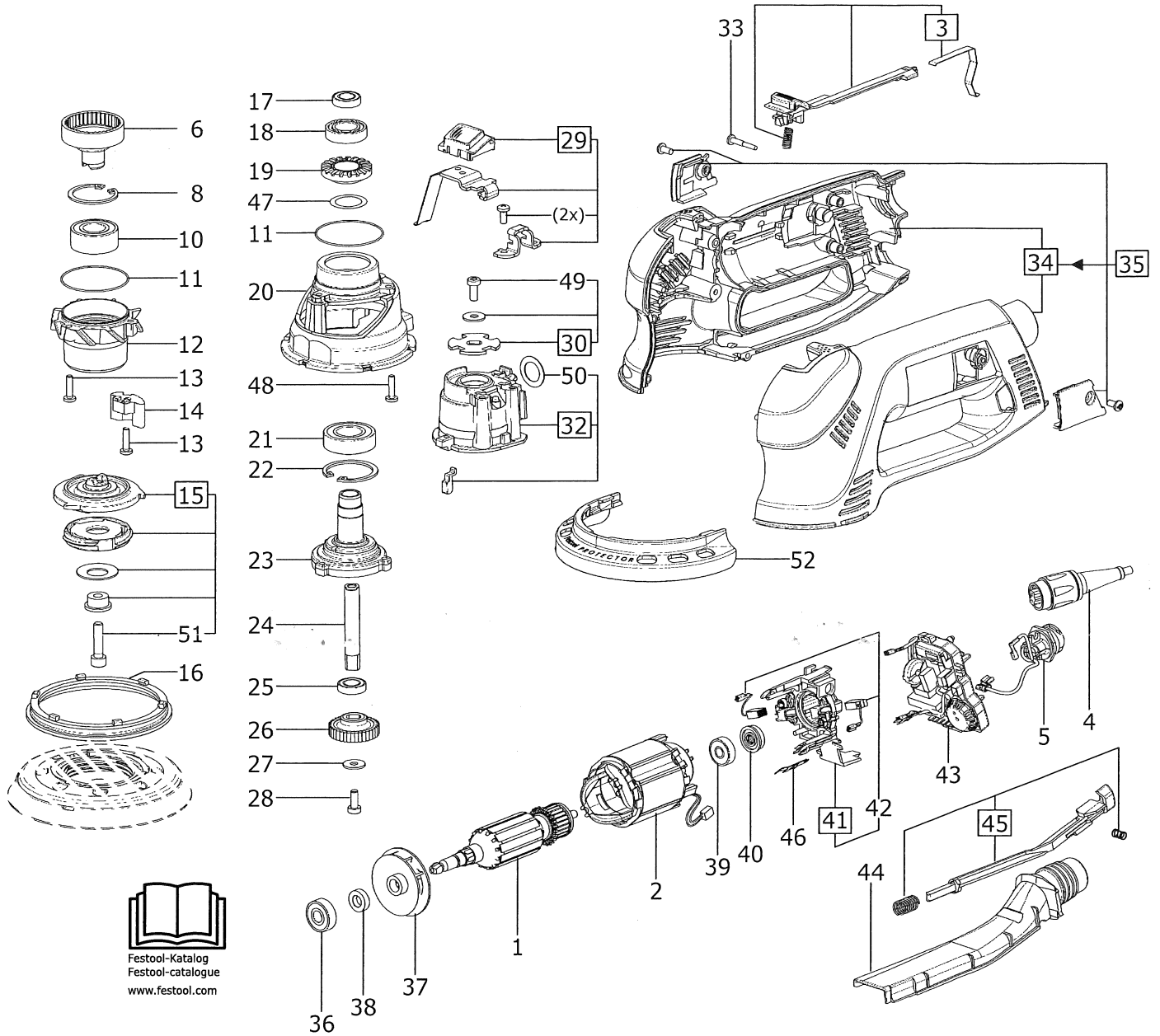


Bitte Nummer bei Ersatzteilbestellungen angeben!
Please give number when ordering spare pieces!



Gültig für / Valid for:
493 660 (230 V)
493 771 (USA, 120 V)
493 772 (GB, 110 V)
495 210 (J, 100 V)




Festool-Katalog
Festool-catalogue
www.festool.com

Pos. Item	Best-Nr./Symbol Order/Symbols	St. Qty.	Pos. Item	Best-Nr./Symbol Order/Symbols	St. Qty.	Pos. Item	Best-Nr./Symbol Order/Symbols	St. Qty.	Pos. Item	Best-Nr./Symbol Order/Symbols	St. Qty.	Pos. Item	Best-Nr./Symbol Order/Symbols	St. Qty.	Pos. Item	Best-Nr./Symbol Order/Symbols	St. Qty.
1	492631	1	5	493167 (120V +100V)	1	22	771483 I 35x1,2 DIN 472	1	38	463830	1	49	400797	1			
1	-	-	6	463361	1	23	463358	1	39	228672	1	50	465566	1			
1	493469 (110+120+100V)	1	8	401246 I 32x1,2 DIN 472	1	24	463363	1	40	444018	1	51	400796	1			
2	492632	1	10	400803	1	25	400748	1	41	493471 (230V)	1	52	493912	1			
2	493100 (110+120+100V)	1	11	400737	2	26	463362	1	41	493472 (110+120+100V)	1						
3	492628	1	12	463293	1	27	400649 M 5 DIN 6796	1	42	492629 (230V)	1						
4	489421 (EU)	1	13	219075	4	28	400797	1	42	493464 (120V +100V)	1						
4	489657 (CH)	1	14	467819	1	29	492624	1	43	492398	1						
4	490658 (AUS)	1	15	492621	1	30	492623	1	43	492397 (120V)	1						
4	490650 (GB240V)	1	16	463357	1	32	492622	1	43	493101 (GB110V +100V)	1						
4	491616 (GB110V)	1	17	400582	1	33	400174	9	44	464854	1						
4	490649 (USA)	1	18	400745	1	34	493783	1	45	492630	1						
4	496087 (JP)	1	19	463360	1	35	492626	1	46	465202	1						
5	491528	1	20	463291	1	36	400626	1	47	400855	1						
5	493350 (GB110V)	1	21	400743	1	37	487498	1	48	228738	3						